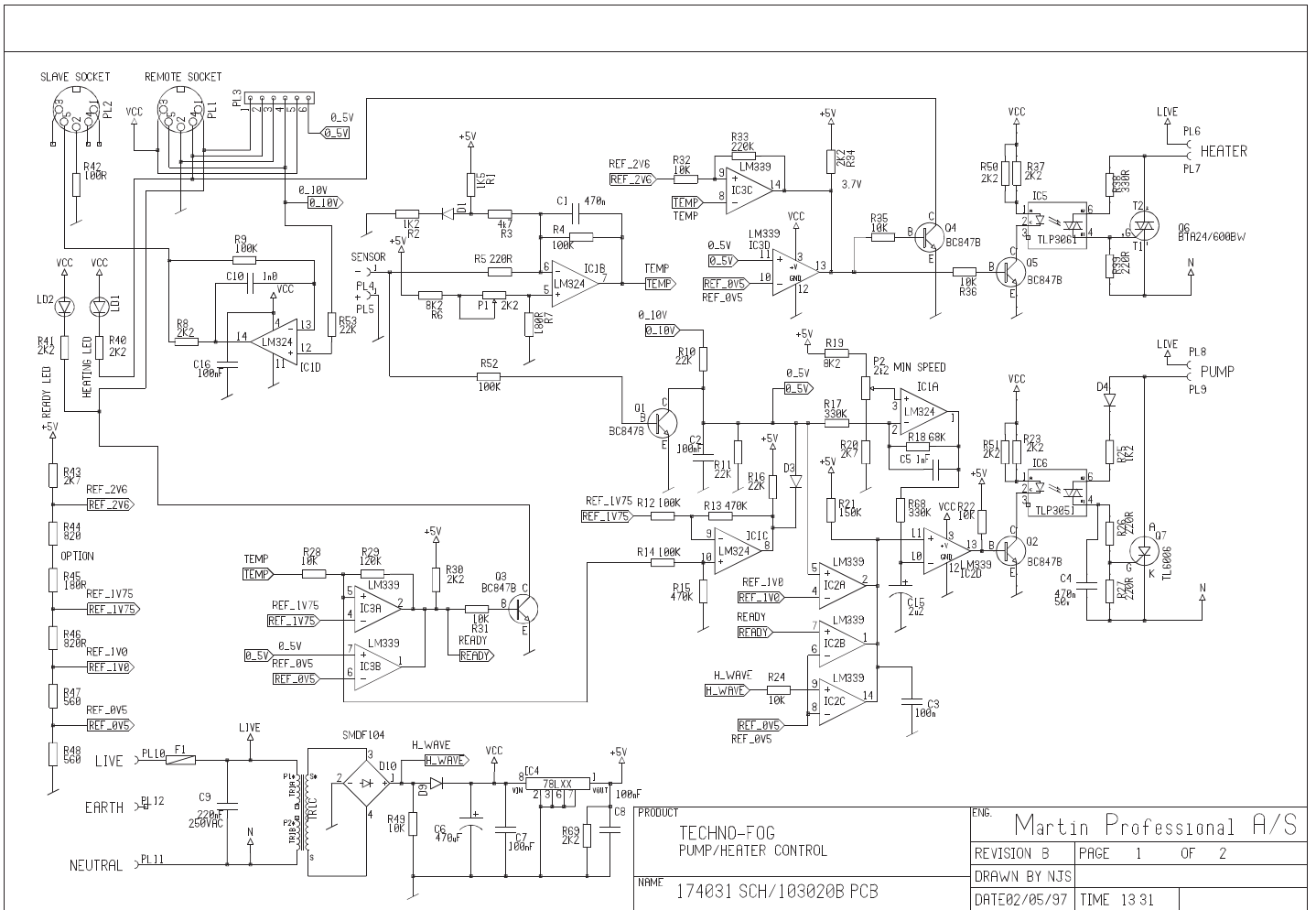


PRODUCT		TECHNO-FOG		ENG. Martin Professional A/S	
		REMOTE CONTROL		REVISION B	PAGE 2 OF 2
NAME		174031 SCH/103020B PCB		DRAWN BY NJS	
		DATE 02/05/97	TIME 16 50		



PRODUCT		TECHNO-FOG PUMP/HEATER CONTROL		ENG. Martin Professional A/S	
NAME		174031 SCH/103020B PCB		REVISION	3
				PAGE	1 OF 2
				DRAWN BY	NJS
				DATE	02/05/97
				TIME	13 31